

Real-Time Digital Simulation Based SCADA Lab and HIL Machine Drive Lab at USF

FESC Workshop Presentation, May 21, 2015

Hossein Ghassempour, Zhixin Miao, [Lingling Fan](#)

Associate Professor

Smart Grid Power System Lab

University of South Florida

<http://power.eng.usf.edu>

PI server enabled SCADA testbed

200 kWh battery



USF SEEDS PV panels

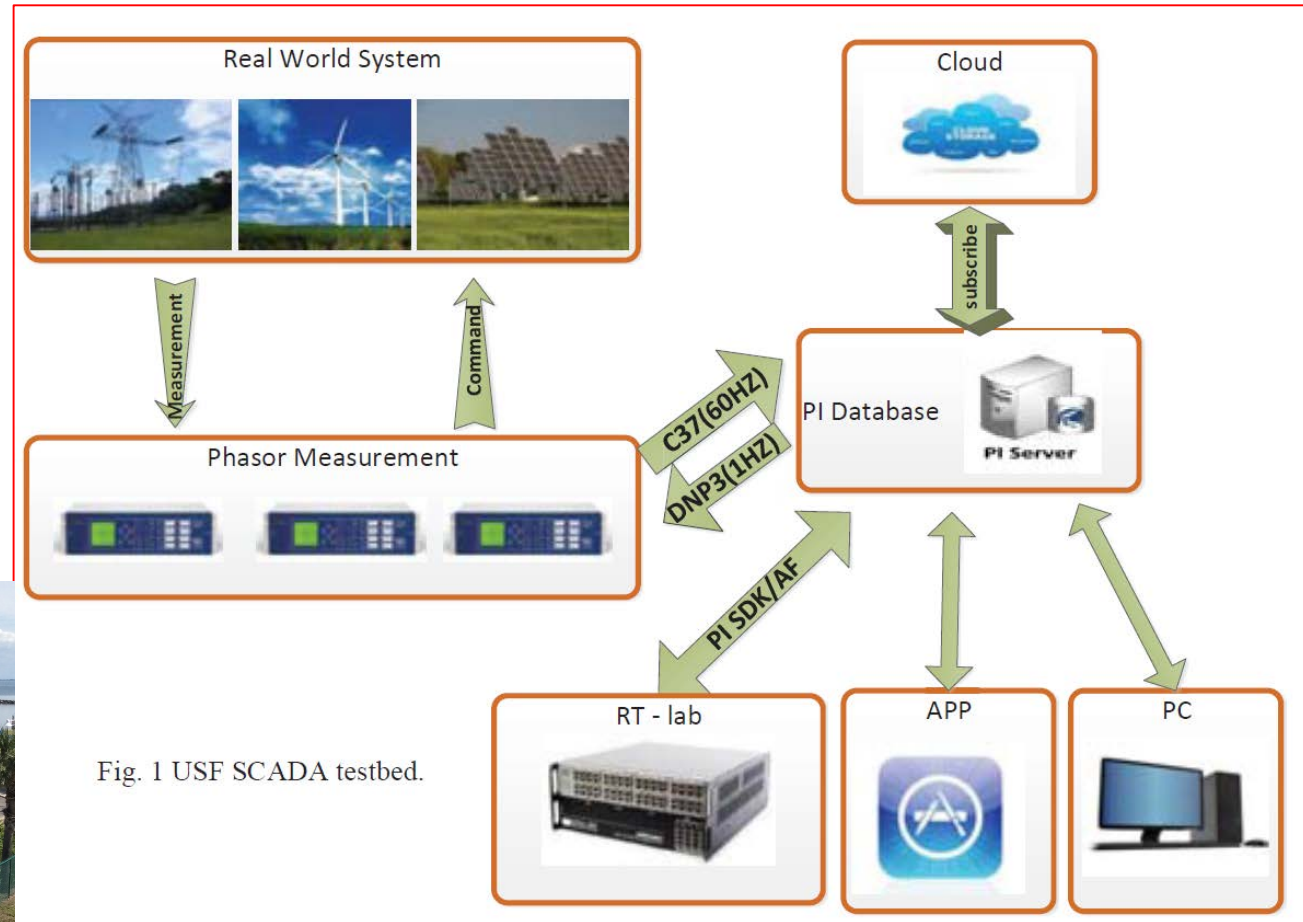


Fig. 1 USF SCADA testbed.

Data → server:

RT-lab → PI

SEL PMU → PI

Labview → PI

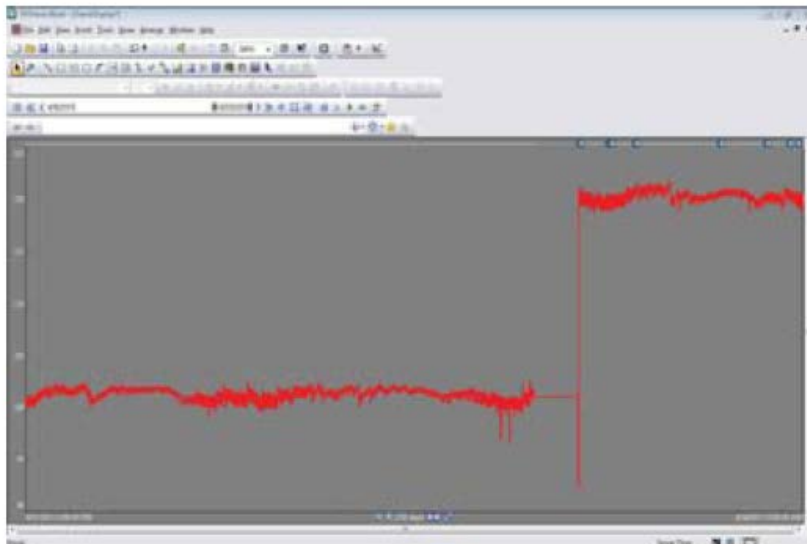
Server → control devices

PI → RT-lab

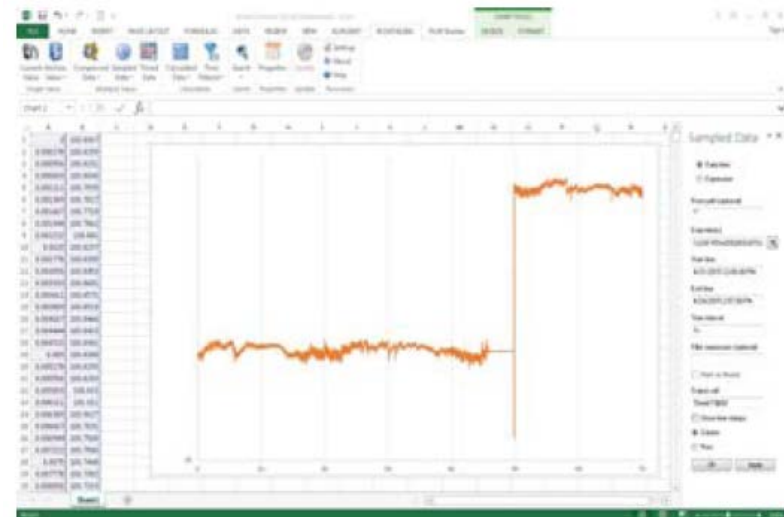
PI → 200 kWh Battery



(b) PI-Coresight



(a) PI-processbook



(c) Excel with PI-datalink

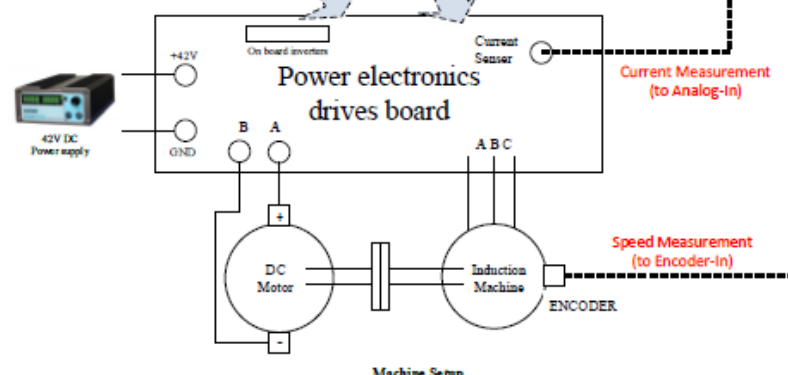
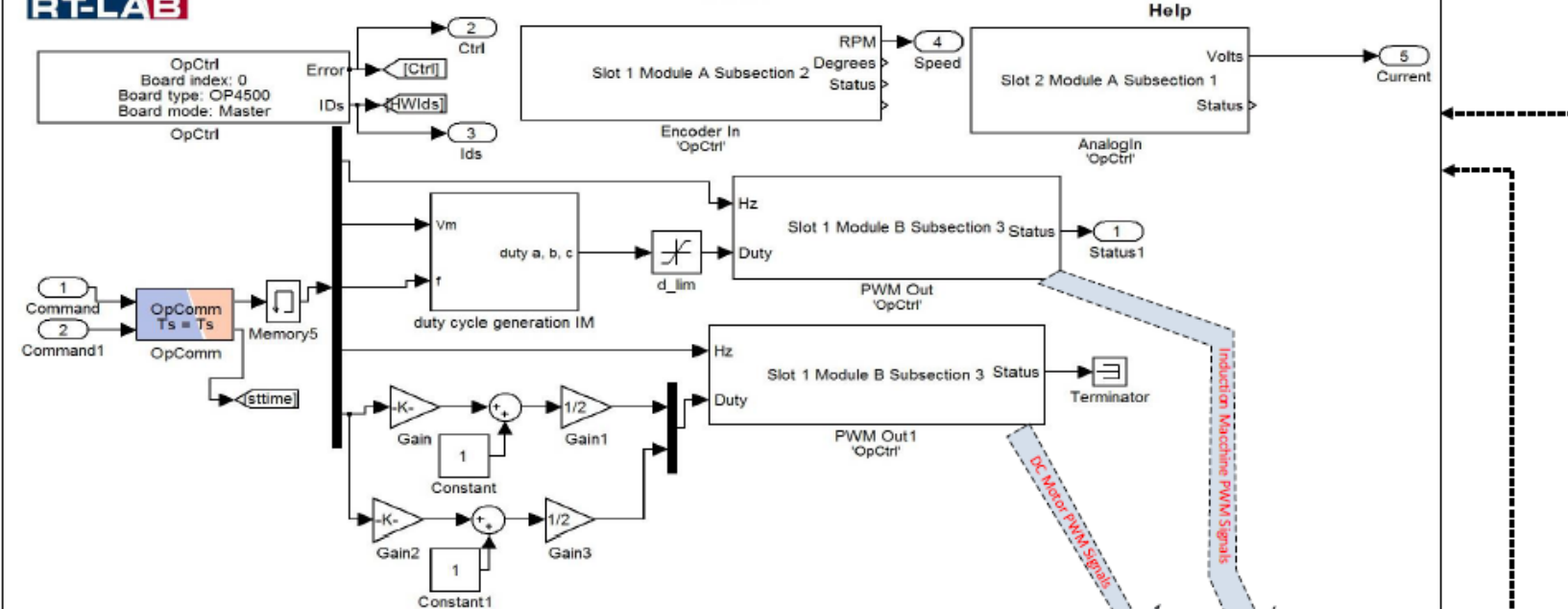


Induction Machine V/f Control

Master Block



Help



Machine Setup

RT-LAB Enabled Drive Lab

